

# SPEAKER UNIT SPECIFICATION

Document No.:KDT-510 T35S-51

Ver: 01

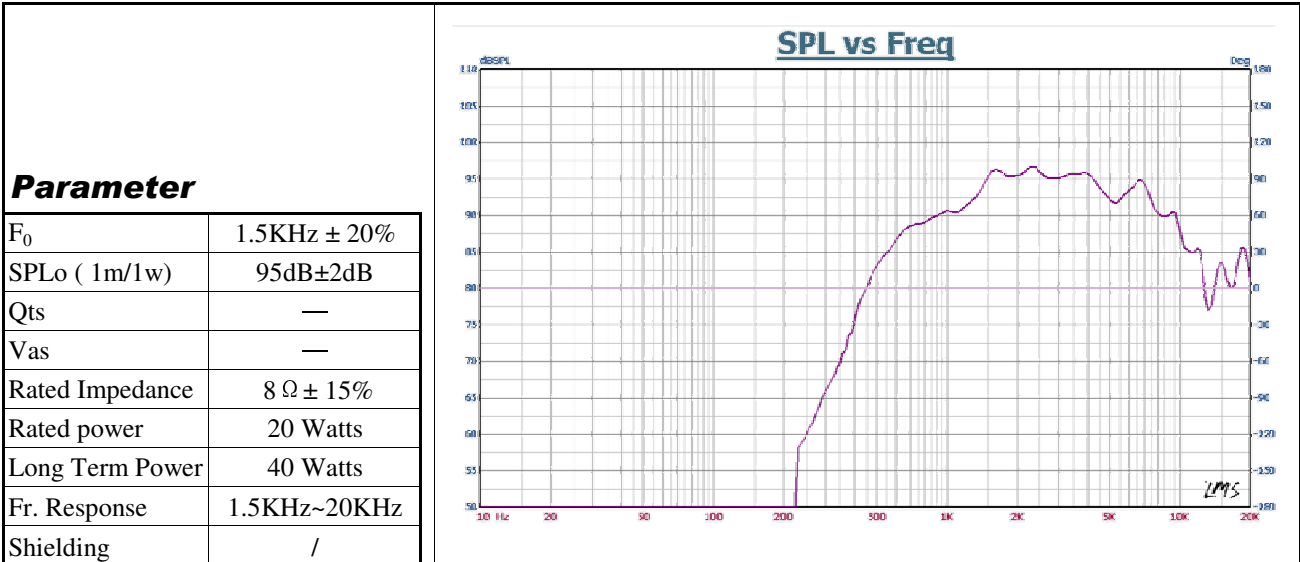
MODEL:  
KDT-510

Compile:

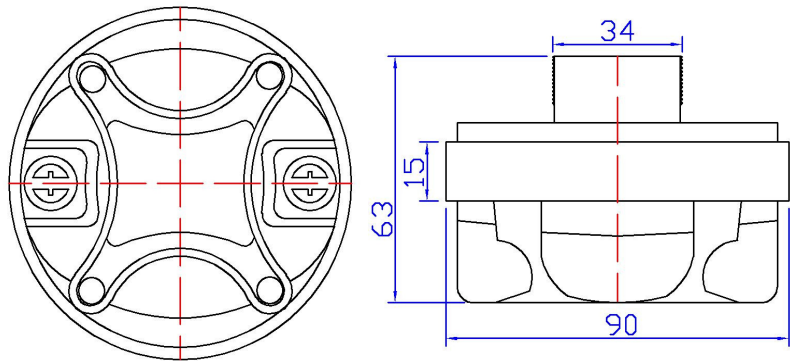
Proof:

Auditing:

Authorize:



<b>Structure of Driver</b>	
Frame/panel	Plastic
Magnet Diameter	Φ 90mm
Magnet Weight	350g/12.4oz
Voice Coil	ASV Φ 35.5mm
Weight	0.45Kg



## Production Picture

